

51R56 CAP-ON-BOTTLE INSPECTION

The 51R56 is our latest model in a long line of closure inspection solutions. It is perfect for inspecting all beverage containers along with food and household products. At speeds up to 800 containers per minute, this system performs a 360-degree inspection for cap and application defects.

INSPECTIONS INCLUDE:

Cocked, Loose, Tight, Skewed, and Missing Caps

Tucked, Broken, and Missing Tamper Bands

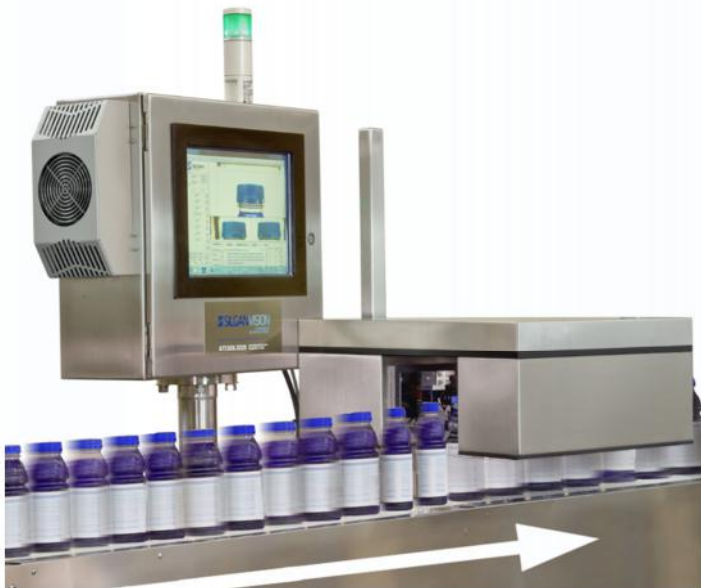
Low Fill Levels

Cap Color and Other Inspections as Specified



The world's most trusted brands trust us to help grow their business

WHY CHOOSE THE SILGAN VISION 51R56?



It Works: 100% product inspection prevents defects from going downstream

Efficient: System intelligence prevents poor product runs that result in costly spoilage

Easy to Use: User interface simplifies operation changeover and set up of new jobs

Durable: Stainless steel, NEMA4X design withstands food & beverage plant environments

Compact: Installs easily over existing conveyor and saves valuable floor space

No Hassle: Fully supported by the Silgan Vision Technical and Customer Service Teams

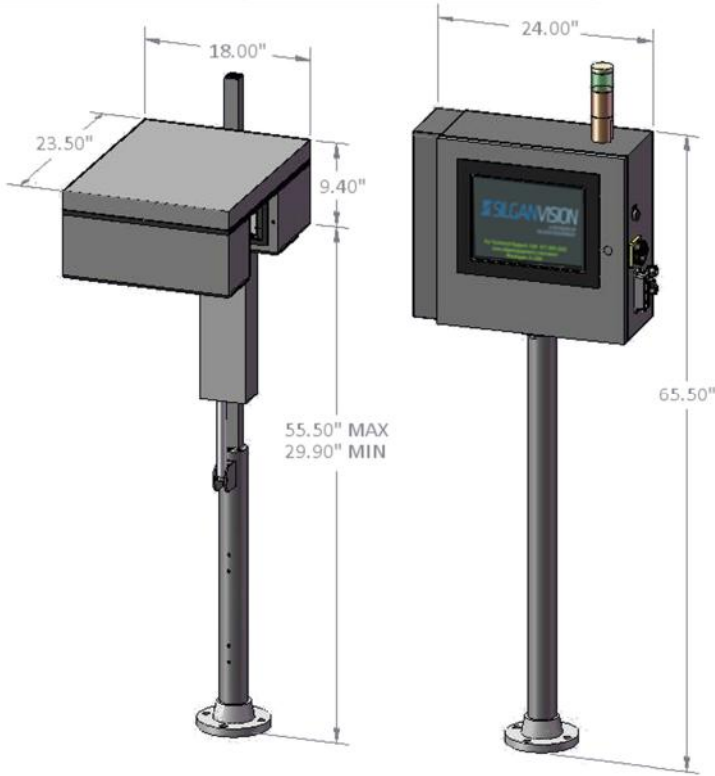
Want To Know More?



sales@silganequipment.com

WWW.SILGANEQUIPMENT.COM | 847.336.0552 | 1301 W. DUGDALE RD, WAUKEGAN, IL 60085

51R56 TECHNICAL SPECIFICATIONS



Model	51R56 Cap on Bottle Inspection
Cap Sizes	Ø28mm – Ø82mm
Camera Configuration	Multi-camera for 360° inspection
Interface	15" Touch Screen
Other Features	<ul style="list-style-type: none"> • Custom LED Lighting • Solid State Hard Drive with Backup • Motorized Tunnel Height Adjustment • Cabinet Cooler for Temperature Control • Ethernet Bay for Online Connectivity • Password Protect Feature • Teach Function for Auto Configuration • Saves up to 50 Recipes / Jobs • Status Billboard for Real-Time Data
NEMA Rating	4X - Watertight (Wash-Down Environment)
Electrical Requirements	120VAC 1 Phase
Environment Temp.	33° ~ 115°F
Space Required (x2)	Height: 65.5 Inches Width: 24 Inches Depth: 23.5 Inches

Choose From These Great Options:

Filler Capper Tracking System Tap Touch 600 Pneumatic Ejector (NEMA 4) Soft Touch Diverter (NEMA 4X) UPS & Surge Protector (NEMA 4X)	Control Cabinet Cover Spare Parts Kit Paxton Cap Dryer
---	--

Why Choose Silgan Vision?

- Silgan is a Vision pioneer and has served our customers for over 20 years with vision inspection solutions.
- Today, Silgan Vision business partners exceed their standards for quality and support world-wide. Many of the top food and beverage processors rely on us for their quality assurance programs.
- With our 24/7 support line and full-service technicians located throughout the continental US, we stand by our products and help you get the best out of your operation.
- Silgan Vision is a proud member of the Silgan family of companies. We deliver the best-in-class service you deserve. We know your packaging and can help you grow.

LET US HELP TAKE YOUR BUSINESS TO THE NEXT LEVEL!

Capping

Material Handling

Quality Inspection

Rebuild & Engineering Services



Take Advantage of Silgan's Large U.S. Service Network

Silgan Vision's 24hr Support Line: 877-205-3225