

51R76 SEAL INSPECTION

The 51R76 provides complete visual inspection of foil, plastic and multi-layer lids for seal integrity. This system is perfect for products in plastic cups or tubs, such as yogurts, puddings, and apple sauce. With speeds up to 800 containers per minute, this system should be an integral part of your production line and quality efforts.

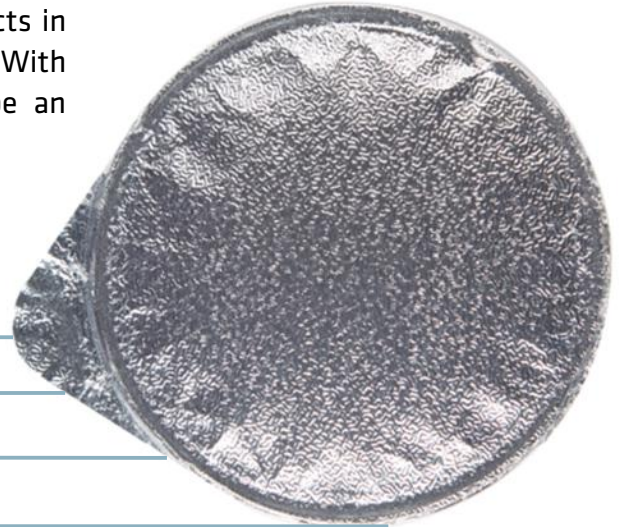
INSPECTIONS INCLUDE:

Incomplete and Folded Seals

Wrong or Missing Foil or Plastic

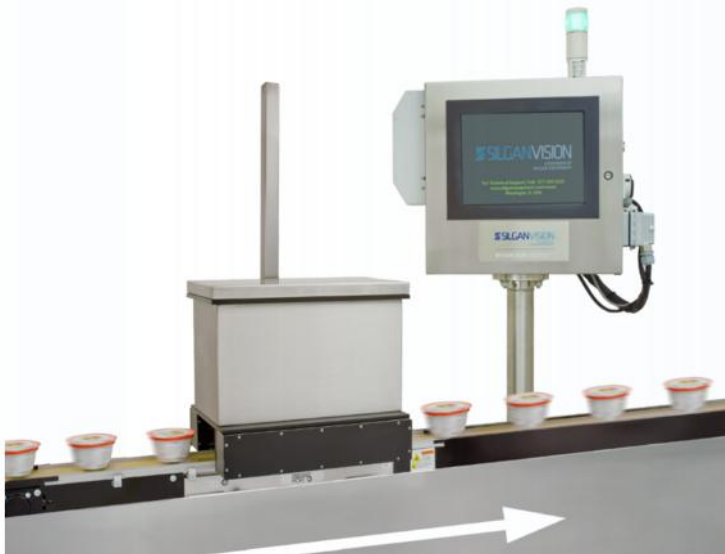
Container Ovality and Lid Centering

Material Defects Such as Pinholes



The world's most trusted brands trust us to help grow their business

WHY CHOOSE THE SILGAN VISION 51R76?



It Works: 100% product inspection prevents defects from going downstream

Less Waste: Utilize system intelligence to prevent poor product runs that result in costly spoilage

Easy to Use: User interface simplifies operation changeover and set up of new jobs

Durable: Stainless steel, NEMA4X design withstands food & beverage plant environments

Compact: Installs easily over existing conveyor and saves valuable floor space

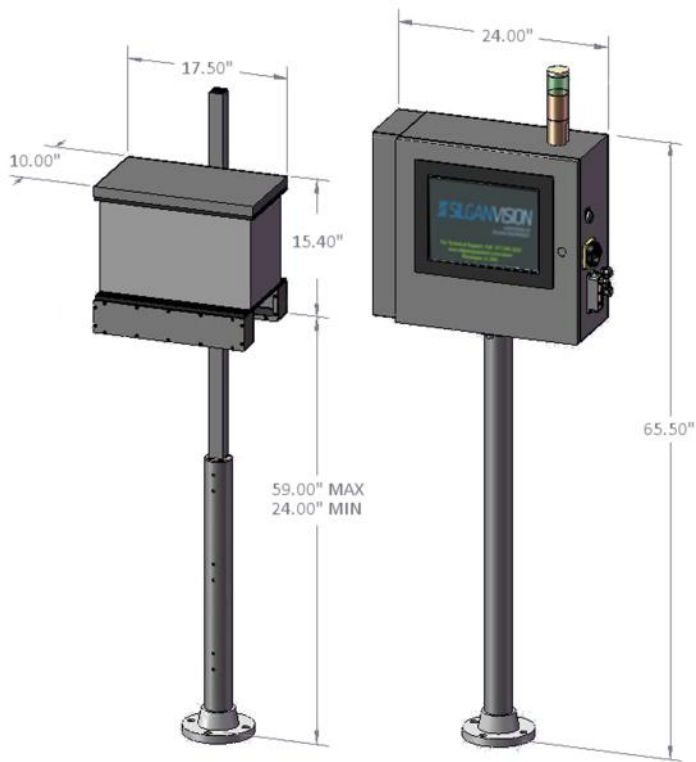
No Hassle: Fully supported by the Silgan Vision Technical and Customer Service Teams

Want To Know More?



sales@silganequipment.com

51R76 TECHNICAL SPECIFICATIONS



Model	51R76 Seal Inspection
Cap Sizes	Ø28mm - Ø95mm
Camera Configuration	Multi-camera/lighting for dual inspection
Interface	15" Touch Screen
Other Features	<ul style="list-style-type: none"> • Custom LED Lighting • Solid State Hard Drive with Backup • Motorized Tunnel Height Adjustment • Cabinet Cooler for Temperature Control • Ethernet Bay for Online Connectivity • Password Protect Feature • Teach Function for Auto Configuration • Saves up to 50 Recipes / Jobs • Status Billboard for Real-Time Data
NEMA Rating	4X - Watertight (Wash-Down Environment)
Electrical Requirements	120VAC 1 Phase
Environment Temp.	33° ~ 115°F
Space Required (x2)	Height: 65.5 Inches Width: 24 Inches Depth: 21 Inches

Choose From These Great Options:

Filler Capper Tracking System Tap Touch 600 Pneumatic Ejector (NEMA 4) Soft Touch Diverter (NEMA 4X) UPS & Surge Protector (NEMA 4X)	Control Cabinet Cover Spare Parts Kit Paxton Cap Dryer
---	--

Why Choose Silgan Vision?

- Silgan is a Vision pioneer and has served our customers for over 20 years with vision inspection solutions.
- Today, Silgan Vision business partners exceed their standards for quality and support world-wide. Many of the top food and beverage processors rely on us for their quality assurance programs.
- With our 24/7 support line and full-service technicians located throughout the continental US, we stand by our products and help you get the best out of your operation.
- Silgan Vision is a proud member of the Silgan family of companies. We deliver the best-in-class service you deserve. We know your packaging and can help you grow.

LET US HELP TAKE YOUR BUSINESS TO THE NEXT LEVEL!

Capping

Material Handling

Quality Inspection

Rebuild & Engineering Services



Take Advantage of Silgan's Large U.S. Service Network

Silgan Vision's 24hr Support Line: 877-205-3225