

## 51R84 LABEL INSPECTION

The 51R84 provides 360-degree inspection of labeled products, including but not limited to beverages, sauces, and household goods. With a multi-camera inspection at speeds up to 700 containers per minute, this system accurately detects label and labeling errors to ensure your product best represents itself and your brand on the retail store shelf.

### INSPECTIONS INCLUDE:

Label Folds and Tears

Spliced and Skewed Labels

Wrong and Missing Labels

Label Height and Other Application Defects



The world's most trusted brands trust us to help grow their business

## WHY CHOOSE THE SILGAN VISION 51R84?



**It Works:** 100% product inspection prevents defects from going downstream

**Less Waste:** Utilize system intelligence to prevent poor product runs that result in costly spoilage

**Easy to Use:** User interface simplifies operation changeover and set up of new jobs

**Durable:** Stainless steel, NEMA4X design withstands food & beverage plant environments

**Compact:** Installs easily over existing conveyor and saves valuable floor space

**No Hassle:** Fully supported by the Silgan Vision Technical and Customer Service Teams

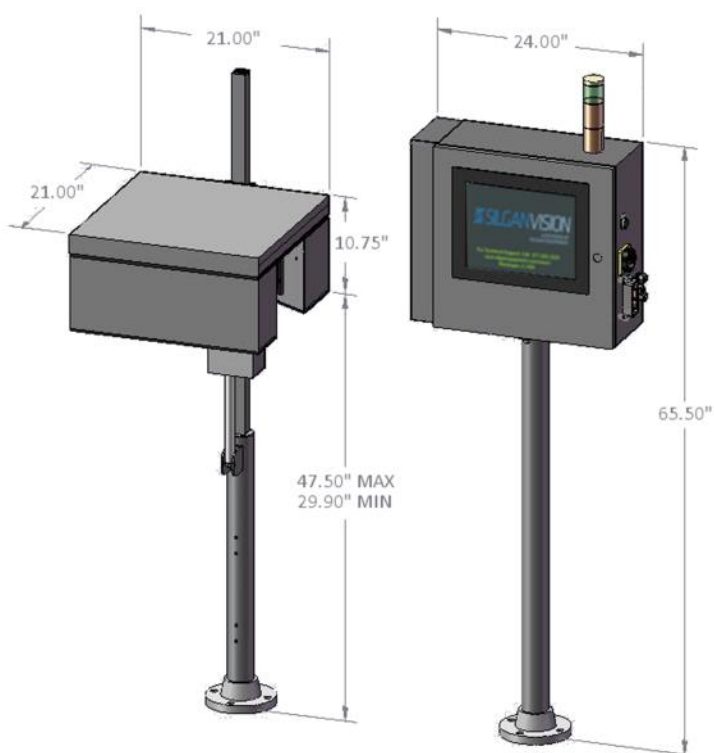
Want To Know More?



[sales@silganequipment.com](mailto:sales@silganequipment.com)

[WWW.SILGANEQUIPMENT.COM](http://WWW.SILGANEQUIPMENT.COM) | 847.336.0552 | 1301 W. DUGDALE RD, WAUKEGAN, IL 60085

# 51R84 TECHNICAL SPECIFICATIONS



<b>Model</b>	51R84 Label Inspection
<b>Cap Sizes</b>	Ø28mm - Ø82mm
<b>Camera Configuration</b>	Multi-camera for 360° inspection
<b>Interface</b>	15" Touch Screen
<b>Other Features</b>	<ul style="list-style-type: none"> <li>• Custom LED Lighting</li> <li>• Solid State Hard Drive with Backup</li> <li>• Motorized Tunnel Height Adjustment</li> <li>• Cabinet Cooler for Temperature Control</li> <li>• Ethernet Bay for Online Connectivity</li> <li>• Password Protect Feature</li> <li>• Teach Function for Auto Configuration</li> <li>• Saves up to 50 Recipes / Jobs</li> <li>• Status Billboard for Real-Time Data</li> </ul>
<b>NEMA Rating</b>	4X - Watertight (Wash-Down Environment)
<b>Electrical Requirements</b>	120VAC 1 Phase
<b>Environment Temp.</b>	33° ~ 115°F
<b>Space Required (x2)</b>	Height: 65.5 Inches Width: 24 Inches Depth: 21 Inches


**Choose From These Great Options:**

<b>Filler Capper Tracking System</b>	<b>Control Cabinet Cover</b>
<b>Tap Touch 600 Pneumatic Ejector (NEMA 4)</b>	<b>Filler Capper Tracking</b>
<b>Soft Touch Diverter (NEMA 4X)</b>	<b>Paxton Cap Dryer</b>
<b>UPS &amp; Surge Protector (NEMA 4X)</b>	<b>Sleever Tracker</b>

### Why Choose Silgan Vision?

- Silgan is a Vision pioneer and has served our customers for over 20 years with vision inspection solutions.
- Today, Silgan Vision business partners exceed their standards for quality and support world-wide. Many of the top food and beverage processors rely on us for their quality assurance programs.
- With our 24/7 support line and full-service technicians located throughout the continental US, we stand by our products and help you get the best out of your operation.
- Silgan Vision is a proud member of the Silgan family of companies. We deliver the best-in-class service you deserve. We know your packaging and can help you grow.

*LET US HELP TAKE YOUR BUSINESS TO THE NEXT LEVEL!*

- Capping
- Material Handling
-  Quality Inspection
- Rebuild & Engineering Services



Take Advantage of Silgan's Large U.S. Service Network

**Silgan Vision's 24hr Support Line: 877-205-3225**