

TAP TOUCH 600 DIVERTER

The Tap Touch 600 is designed with your quality efforts in mind, offering a safe and reliable way to divert bottles and jars, minimizing product loss, damage to packaging, and messy cleanup. Whether you're removing defects, sampling quality, or diverting product-stream, the Tap Touch helps keep production on-track.

FEATURES:

[Direct Mounting For Quick Installation](#)

[Stainless Steel Construction For Enhanced Durability](#)

[Adjustable Pad Position And Stroke](#)

[Easy Integration Into Customer Production Line](#)



The world's most trusted brands trust us to help grow their business



WHY CHOOSE THE SILGAN TAP TOUCH 600?

Plant Safety: Tap Touch design avoids broken containers

Efficient: Single tool used at all adjustment points

Less Waste: Adjustable force nozzle reduces impact causing product damage

No Hassle: Fully supported by Silgan Equipment production experts

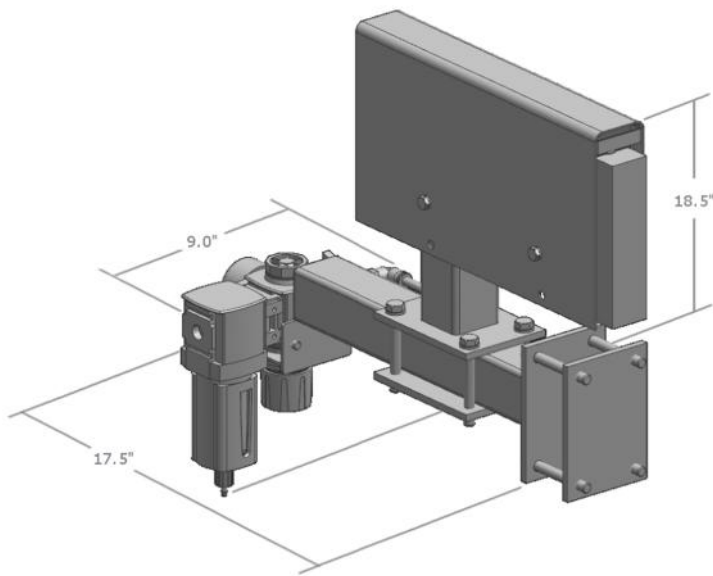
Want To Know More?



sales@silganequipment.com

WWW.SILGANEQUIPMENT.COM | 847.336.0552 | 1301 W. DUGDALE RD, WAUKEGAN, IL 60085

TAP TOUCH 600 TECHNICAL SPECIFICATIONS



Model	Tap Touch 600
How It Works	<ol style="list-style-type: none"> 1. Signal Received From Sensor or Up-stream Operation 2. Product is Tracked on Variable Speed Conveyor 3. Diversion Profile is Calculated on Conveyor and Product Data 4. Product is Diverted
Speed	600 Containers Per Minute
Container Weight	Up to 0.5 lb. Total Weight
Container Types	Metal, Glass, Plastic
Air Requirements	100 PSI, 35 SCFM Depends on Application
NEMA Rating	4 - Watertight (Wash-Down Environment)
Electrical Requirements	Control Voltage 24VDC
Environment Temp.	50° ~ 110°F
Space Required	Height : 18.5 Inches Width : 17.5 Inches Depth : 9 Inches

Silgan Vision: Helping You Get The Best Out Of Your Line

Why Choose Silgan Vision?

- Silgan is a Vision pioneer and has served our customers for over 20 years with vision inspection solutions.
- Today Silgan Vision business partners exceed their standards for quality and support world-wide. Many of the top food and beverage processors rely on us for their quality assurance programs.
- With our 24/7 support line and full-service technicians located throughout the continental US, we stand by our products and help you get the best out of your operation.
- Silgan Vision is a proud member of the Silgan family of companies. We deliver the best-in-class service you deserve. We know your packaging and can help you grow.

LET US HELP TAKE YOUR BUSINESS TO THE NEXT LEVEL!

Capping

Material Handling

Quality Inspection

Rebuild & Engineering Services



Take Advantage of Silgan's Large U.S. Service Network

Silgan Vision's 24hr Support Line: 877-205-3225