

6R25 HOPPER

The 6R25 Hopper features a magnetic disc which feeds both right side up and upside down caps to the cap turnover where they are correctly oriented. This process provides up to 50% more output. The hopper can be capper mounted or remotely mounted to suit specific line requirements.

FEATURES:

[Electronic Motion Control, Gentle Cap Handling](#)

[Hopper Can Mount to a Capper](#)

[Dial-A-Cap Selector Allows Fast and Easy Changeovers](#)

[Delivers All of Silgan Metal Closures](#)



The world's most trusted brands trust us to help grow their business



WHY CHOOSE THE SILGAN 6R25 HOPPER?

Efficient: Large capacity bin reduces refilling labor requirements and adjustable cap metering gate ensures consistent cap output

Durable: Stainless steel disc with an anodized aluminum Teflon coated drum

Easy to Use: Simple setup and adjustment, control and cap motion sensor provides automatic starting and stopping of the hopper

Speed: Cap turnover orients caps for smooth high speed delivery

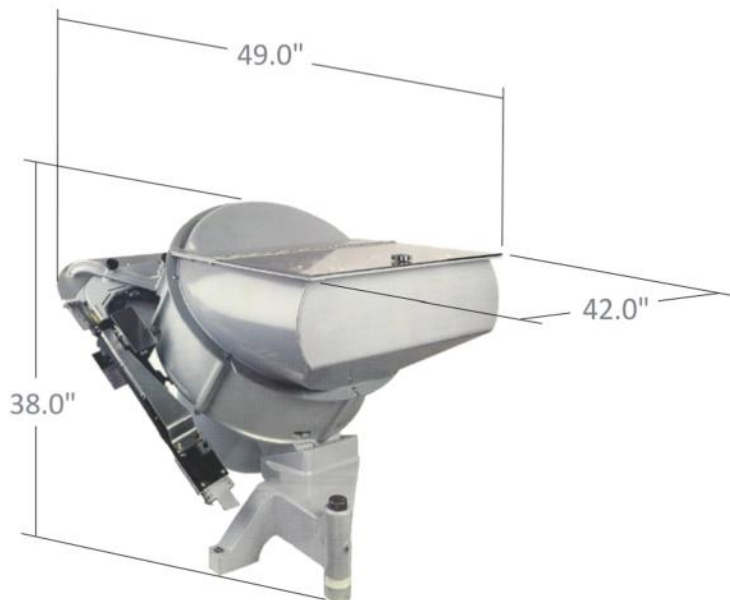
No Hassle: Fully supported by Silgan Equipment capping experts

Want To Know More?



sales@silganequipment.com

6R25 HOPPER TECHNICAL SPECIFICATIONS



| | |
|-------------------------|---|
| Model | 6R25 Hopper |
| Cap Diameters | Ø30mm - Ø110mm |
| Line Speed | 310 - 800 caps per minute |
| Weight | 450 lbs. |
| Electrical Requirements | Drive motor: 180VAC 3 Phase or 230VAC 3 Phase Hopper motion control: 120VAC or 24VDC |
| Environment Temp. | 50° ~ 100°F |
| Space Required | Height : 38 Inches Width : 49 Inches Depth : 42 Inches |

| | | |
|---|--|--------------------------|
| Choose From These Great Options: | Extensive List of Cap Turnovers Are Available | Bin Cover |
| | Dual Voltage Drive Motor | Custom Chute Work |

Why Choose Silgan Equipment?

- Silgan Closures has served our customers for over 80 years with closure and equipment solutions.
- Today, Silgan Equipment business partners exceed their standards for quality and support world-wide. Many of the top food and beverage processors rely on us for their equipment needs.
- With our 24/7 support line and full-service technicians located throughout the continental US, we stand by our products and help you get the best out of your operation.
- Silgan Equipment Company is a proud member of the Silgan family of companies. We deliver the best-in-class service you deserve. We know your packaging and can help you grow.

LET US HELP TAKE YOUR BUSINESS TO THE NEXT LEVEL!

Capping

Material Handling

Quality Inspection

Rebuild & Engineering Services



Take Advantage of Silgan's Large U.S. Service Network

Silgan's Sales Line: 847-336-0552