

MF1 HOPPER

The Silgan model MF1 Hopper is designed for reliable medium-to-high speed cap delivery. These cap feed systems are ideal for line speeds up to 300 caps per minute. The fundamental concept of this hopper is the magnetic elevator.

FEATURES:

Stainless Steel

Noise Reduction, Optional Remote Location

Vulcanized Magnetic Belt delivers metal closures

Frequency Control for Line Speed Adjustment



The world's most trusted brands trust us to help grow their business



WHY CHOOSE THE SILGAN MF1 HOPPER?

Efficient: MF1 ensures your closures will be delivered at the right moment and at the correct orientation

Durable: All stainless steel construction for easy cleaning and maintenance

Operator Safety: Easy access to all parts

Easy to Use: Simple setup adjustment and control

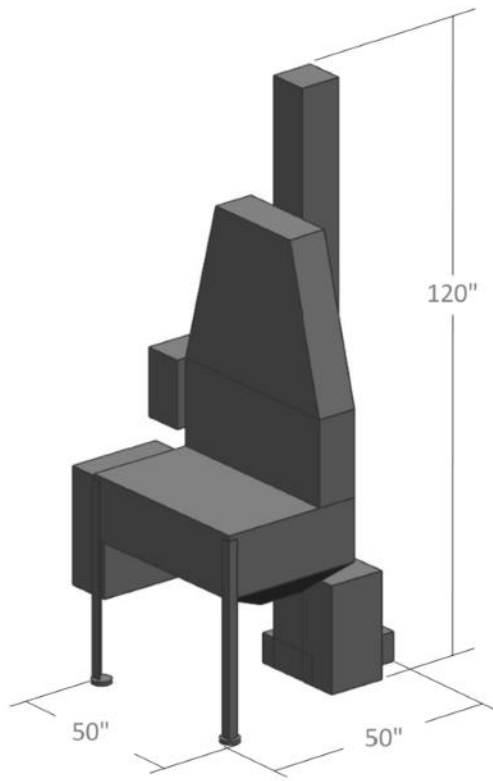
No Hassle: Fully supported by Silgan Equipment capping experts

Want To Know More?



sales@silganequipment.com

MF1 HOPPER TECHNICAL SPECIFICATIONS



Model	MF1 Hopper
Cap Diameters	Ø30mm - Ø110mm
Line Speed	Up to 300 caps per min. standard High speed option is available
Compressed Air	90 PSI minimum
Electrical Requirements	480VAC 3 Phase or 230VAC 3 Phase (Control Voltage 24VDC)
Environment Temp.	50° ~ 100°F
Space Required	Height : 120 Inches Width : 50 Inches Depth : 50 Inches

**Choose From
These Great Options:**

Controlled Air Conveyors

Column Extension

Chute Works

Why Choose Silgan Equipment?

- Silgan Closures has served our customers for over 80 years with closure and equipment solutions.
- Today Silgan Equipment business partners exceed their standards for quality and support world-wide. Many of the top food and beverage processors rely on us for their equipment needs.
- With our 24/7 support line and full-service technicians located throughout the continental US, we stand by our products and help you get the best out of your operation.
- Silgan Equipment Company is a proud member of the Silgan family of companies. We deliver the best-in-class service you deserve. We know your packaging and can help you grow.

LET US HELP TAKE YOUR BUSINESS TO THE NEXT LEVEL!

Capping

Material Handling

Quality Inspection

Rebuild & Engineering Services



Take Advantage
of Silgan's Large
U.S. Service
Network

Silgan's Sales Line: 847-336-0552