

2D Profiling Dud Detector

The 2D Profiling Dud Detector is designed with your quality efforts in mind, providing the most reliable way to inspect Lug, PT or composite cap-sealed packages for cap application and proper vacuum levels. Offering automation and improved sensitivity at high speeds, the 2D Profiling Dud Detector helps keep production on-track.

FEATURES:

Noncontact Laser or Proximity Sensor Measurement

Universal Mounting To Any Conveyor

Inspects Metal, Plastic Or Composite Closures

Full Color Touchscreen, PackML Compliant



The world's most trusted brands trust Silgan to be their Partner for Innovation



WHY CHOOSE THE SILGAN 2D Profiling Dud Detector?

Simplicity: Installs easily over existing conveyor, saving valuable floor space. The user interface simplifies changeovers and new job setups.

Efficiency: 100% product inspection prevents defects from going downstream. The proprietary system intelligence prevents poor product runs that result in costly spoilage.

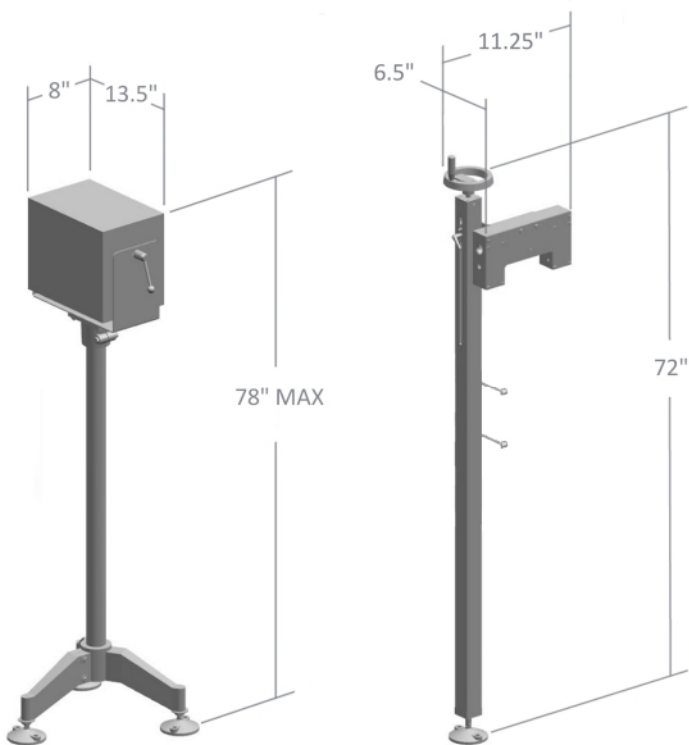
Reliability: The stainless steel, NEMA 4X design, withstands food and beverage plant environments. Our dedicated technical service team is there for all your inspection needs and our optional service agreement program makes it all hassle-free.

Want To Know More?



sales@silganequipment.com

2D PROFILING DUD DETECTOR TECHNICAL SPECIFICATIONS



Model	2D Profiling Dud Detector
How It Works	<ol style="list-style-type: none"> 1. Profiling Sensor Probes for Panel Deflection 2. System Identifies Containers With Insufficient Vacuum 3. Signal is Sent to Pneumatic Eject
Closure Size	Ø30mm ~ Ø110mm
Jar Height	1-1/4" ~ 14"
NEMA Rating	4X - Watertight (Wash-Down Environment)
Electrical Requirements	100-240VAC (Control Voltage 24VDC)
Environment Temp.	50° ~ 100°F
Space Required	Height : 78 Inches Width : 13.5 Inches Depth : 11.25 Inches

Choose From These Great Options:

Tap Touch 600

Soft Touch 600

Air Touch 600

Why Choose Silgan Equipment?

- Silgan's expertise and leadership has served our customers for over 20 years with inspection solutions.
- Today, the Silgan Equipment business partners exceed their standards for quality and support world-wide. Many of the top food and beverage processors rely on us for their equipment needs.
- With full-service technicians located throughout the continental US, we stand by our products and help you get the best out of your operation.
- Silgan Equipment is a proud member of the Silgan family of companies. We deliver the best-in-class service you deserve. We know your packaging and can help you grow.

LET US HELP TAKE YOUR BUSINESS TO THE NEXT LEVEL!

Capping

Material Handling

★ **Quality Inspection**

Rebuild & Engineering Services



Take Advantage of Silgan's Large U.S. Service Network

To start improving your productivity, call: 847.336.0552