

## 51R76 SEAL INSPECTION

The 51R76 provides complete visual inspection of foil, plastic and multi-layer lids for seal integrity. This system is perfect for products in plastic cups or tubs, such as yogurts, puddings, and apple sauce. With speeds up to 800 containers per minute, this system should be an integral part of your production line and quality efforts.

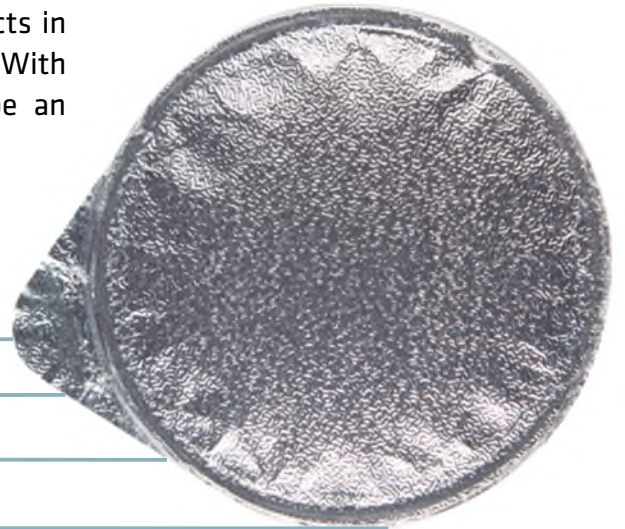
### INSPECTIONS INCLUDE:

Incomplete and Folded Seals

Wrong or Missing Foil or Plastic

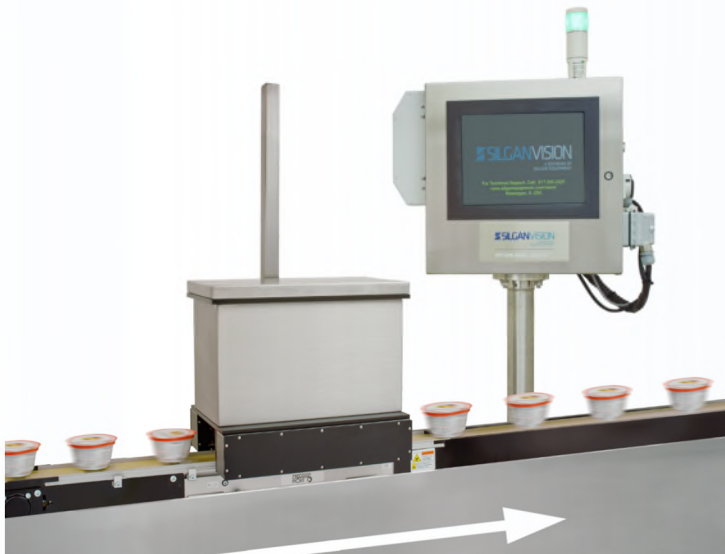
Container Ovality and Lid Centering

Material Defects Such as Pinholes



The world's most trusted brands trust Silgan to be their Partner for Innovation

## WHY CHOOSE THE SILGAN 51R76?



**Simplicity:** Installs easily over existing conveyor, saving valuable floor space. The user interface simplifies changeovers and new job setups.

**Efficiency:** 100% product inspection prevents defects from going downstream. The proprietary system intelligence prevents poor product runs that result in costly spoilage.

**Reliability:** The stainless steel, NEMA 4X design, withstands food and beverage plant environments. Our dedicated technical service team is there for all your inspection needs and our optional service agreement program makes it all hassle-free.

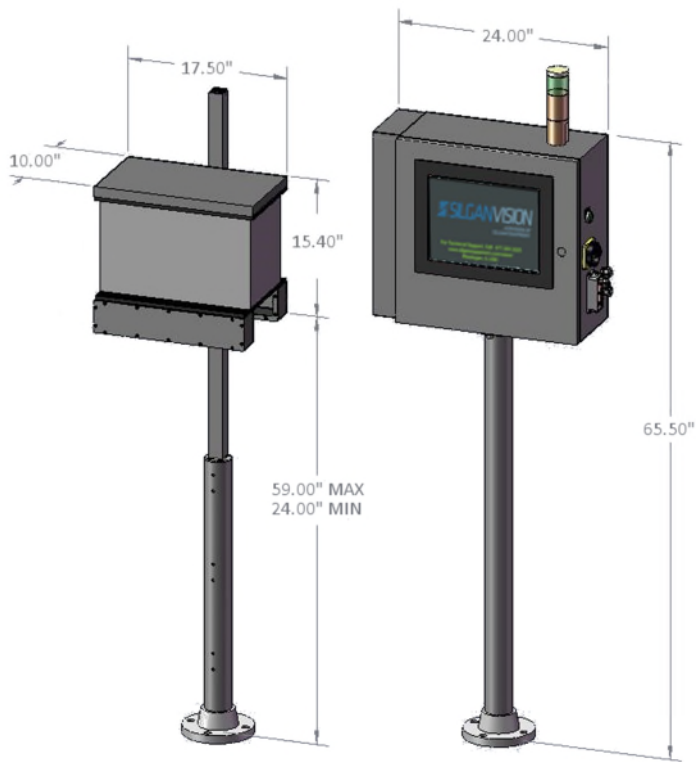
Want To Know More?



[sales@silganequipment.com](mailto:sales@silganequipment.com)

[WWW.SILGANEQUIPMENT.COM](http://WWW.SILGANEQUIPMENT.COM) | 847.336.0552 | 1301 W. DUGDALE RD, WAUKEGAN, IL 60085

# 51R76 TECHNICAL SPECIFICATIONS



Model	51R76 Seal Inspection
Cap Sizes	Ø28mm - Ø95mm
Camera Configuration	Multi-camera/lighting for dual inspection
Interface	15" Touch Screen
Other Features	<ul style="list-style-type: none"> <li>• Custom LED Lighting</li> <li>• Solid State Hard Drive with Backup</li> <li>• Motorized Tunnel Height Adjustment</li> <li>• Cabinet Cooler for Temperature Control</li> <li>• Ethernet Bay for Online Connectivity</li> <li>• Password Protect Feature</li> <li>• Teach Function for Auto Configuration</li> <li>• Saves up to 50 Recipes / Jobs</li> <li>• Status Billboard for Real-Time Data</li> </ul>
NEMA Rating	4X - Watertight (Wash-Down Environment)
Electrical Requirements	120VAC 1 Phase
Environment Temp.	33° ~ 115°F
Space Required (x2)	Height: 65.5 Inches Width: 24 Inches Depth: 21 Inches

**Choose From These Great Options:**

Filler Capper Tracking System	Control Cabinet Cover
Tap Touch 600 Pneumatic Ejector (NEMA 4)	Spare Parts Kit
Soft Touch Diverter (NEMA 4X)	Paxton Cap Dryer
UPS & Surge Protector (NEMA 4X)	Filler Capper Tracking

## Why Choose Silgan Equipment?

- Silgan's expertise and leadership has served our customers for over 20 years with inspection solutions.
- Today, Silgan Equipment business partners exceed their standards for quality and support world-wide. Many of the top food and beverage processors rely on us for their quality assurance programs.
- With our 24/7 support line and full-service technicians located throughout the continental US, we stand by our products and help you get the best out of your operation.
- Silgan Equipment is a proud member of the Silgan family of companies. We deliver the best-in-class service you deserve. We know your packaging and can help you grow.

*LET US HELP TAKE YOUR BUSINESS TO THE NEXT LEVEL!*

## Capping

## Material Handling

## ★ Quality Inspection

## Rebuild & Engineering Services



Take Advantage of Silgan's Large U.S. Service Network

To start improving your productivity, call: 847.336.0552