

## 6R17 HOPPER

The 6R17 Hopper features an extended cap bin. An air blower is provided to keep the inner drum dry insuring a continuous cap feed. A speed control knob provides easy adjustment of closure output. The hopper can be capper mounted or remotely mounted to suit specific line requirements.

### FEATURES:

Electronic Motion Control, Gentle Cap Handling

Hopper Can Mount to a Capper

Cap Insert Allows Fast and Easy Changeovers

Delivers All of Silgan Metal Closures



The world's most trusted brands trust Silgan to be their Partner for Innovation



### WHY CHOOSE THE SILGAN 6R17 HOPPER?

**Efficient:** Large capacity bin reduces refill frequency, inner drum air blower ensures consistent cap feed

**Durable:** Durable construction

**Easy to Use:** Simple setup, adjustment, and control, quick and easy cleaning, cap insert allows for easy and quick changeovers.

**Speed:** Cap turnover orients caps for smooth high speed delivery

**No Hassle:** Fully supported by Silgan Equipment capping experts

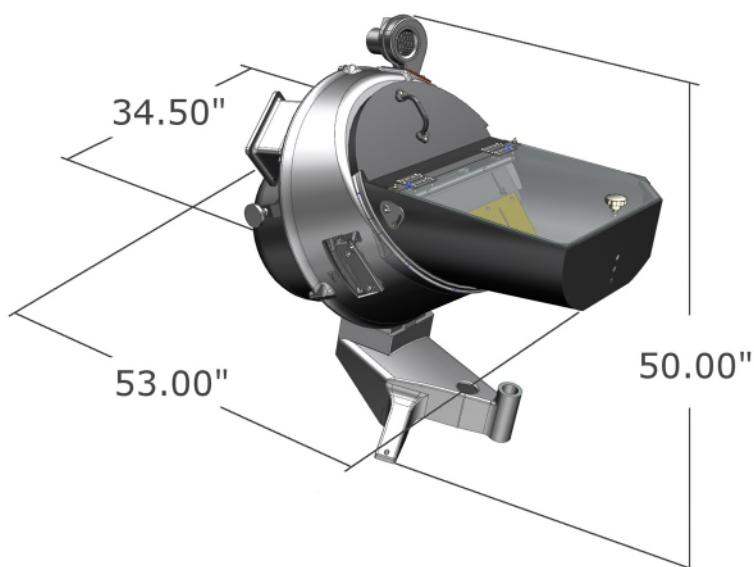
Want To Know More?



[sales@silganequipment.com](mailto:sales@silganequipment.com)

[WWW.SILGANEQUIPMENT.COM](http://WWW.SILGANEQUIPMENT.COM) | 847.336.0552 | 1301 W. DUGDALE RD, WAUKEGAN, IL 60085

# 6R25 HOPPER TECHNICAL SPECIFICATIONS



Model	6R17 Hopper
Cap Diameters	Ø27mm - Ø110mm
Line Speed	310 - 800 caps per minute
Weight	450 lbs.
Electrical Requirements	Drive motor: 180VAC 3 Phase or 230VAC 3 Phase  Hopper motion control: 120VAC or 24VDC
Environment Temp.	50° ~ 100°F
Space Required	Height : 50 Inches Width : 53 Inches Depth : 34.5 Inches

<b>Choose From These Great Options:</b>	<b>Extensive List of Cap Turnovers Are Available</b>	<b>Bin Cover</b>
	<b>Dual Voltage Drive Motor</b>	<b>Custom Chute Work</b>

## Why Choose Silgan Equipment?

- Silgan's expertise and leadership has served our customers for over 80 years with closure and equipment solutions.
- Today, Silgan Equipment business partners exceed their standards for quality and support world-wide. Many of the top food and beverage processors rely on us for their equipment needs.
- With our 24/7 support line and full-service technicians located throughout the continental US, we stand by our products and help you get the best out of your operation.
- Silgan Equipment is a proud member of the Silgan family of companies. We deliver the best-in-class service you deserve. We know your packaging and can help you grow.

*LET US HELP TAKE YOUR BUSINESS TO THE NEXT LEVEL!*

## Capping

### ★ Material Handling

### Quality Inspection

### Rebuild & Engineering Services



Take Advantage of Silgan's Large U.S. Service Network

**To start improving your productivity, call: 847.336.0552**