

## CSE HOPPER

The CSE Hopper is the top rated cap feed and sorting system for Silgan Equipment. The unit consists of a hopper, bin, feed conveyor, sorting device and elevator. The patented cap feed system works on several lines and the closures are sorted by gravity.

### FEATURES:

Ultra High Speed Cap Feeder

Low Maintenance, Low Noise

Optional Remote Location

Delivers Full Range of Silgan Metal Closures



The world's most trusted brands trust Silgan to be their Partner for Innovation



## WHY CHOOSE THE SILGAN CSE HOPPER?

**Efficient:** CSE ensures your closures will be delivered at the right moment and at the correct orientation

**Durable:** All stainless steel construction for easy cleaning and maintenance

**Operator Safety:** Easy access to all parts

**Speed:** A high line speed with minimum electrical requirements

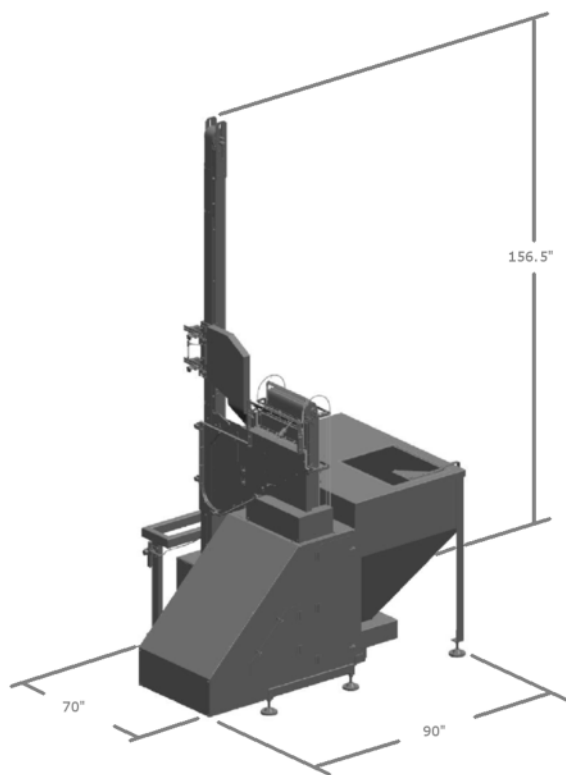
**No Hassle:** Fully supported by Silgan Equipment capping experts

Want To Know More?



[sales@silganequipment.com](mailto:sales@silganequipment.com)

# CSE HOPPER TECHNICAL SPECIFICATIONS



Model	CSE Hopper
Line Speed PT Closures	Ø40mm - 1,600 per min. Ø51mm - 1,600 per min.
Line Speed Twist-Off Closures	Ø38mm - 1,600 per min. Ø53mm - 1,400 per min. Ø63mm - 1,300 per min. Ø70mm - 1,000 per min. Ø82mm - 850 per min.
Compressed Air	90 psi
Electrical Requirements	480VAC 3 PHASE (Control Voltage 24VDC)
Environment Temp.	50° ~ 100°F
Space Required	Height : 156.5 Inches Width : 70 Inches Depth : 90 Inches

**Choose From  
These Great Options:**

Controlled Air Conveyors

Column Extension

Chute Work

## Why Choose Silgan Equipment?

- Silgan's expertise and leadership has served our customers for over 80 years with closure and equipment solutions.
- Today, Silgan Equipment business partners exceed their standards for quality and support world-wide. Many of the top food and beverage processors rely on us for their equipment needs.
- With our 24/7 support line and full-service technicians located throughout the continental US, we stand by our products and help you get the best out of your operation.
- Silgan Equipment is a proud member of the Silgan family of companies. We deliver the best-in-class service you deserve. We know your packaging and can help you grow.

*LET US HELP TAKE YOUR BUSINESS TO THE NEXT LEVEL!*

## Capping

## ★ Material Handling

## Quality Inspection

## Rebuild & Engineering Services



Take Advantage  
of Silgan's Large  
U.S. Service  
Network

**To start improving your productivity, call: 847.336.0552**