

## WC500 CAPPER

Silgan Equipment's WC500 offers the latest in-line sealing technology. The WC500 can accommodate the full range of Silgan's Twist-Off and Press-On Twist-Off (P-T) closures, and most glass containers. Silgan's vapor vacuum technology displaces headspace air with steam to produce measurable vacuum right out of the capper.

### FEATURES:

Capping Speeds Up To 500 CPM (Containers Per Minute)

Capper Head Temperature Monitoring

Powered Head Height Adjustment

Can Be Configured in Both Right and Left Hand Feed Models



The world's most trusted brands trust Silgan to be their Partner for Innovation



## WHY CHOOSE THE SILGAN WC500?

**Easy to Use:** Simple Set-Up & Adjustments

**Durable:** All stainless steel construction for easy cleaning and maintenance

**High Throughput:** Gets more done in less time with speeds up to 500 CPM

**Product Integrity:** Vapor vacuum sealing enhances food quality and safety

**No Hassle:** Fully supported by Silgan Equipment capping experts

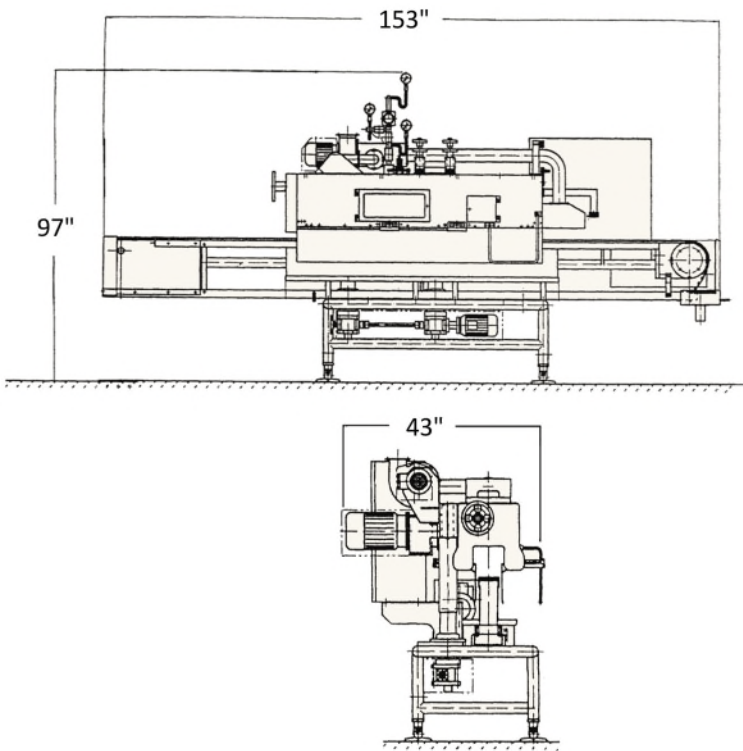
Want To Know More?



[sales@silganequipment.com](mailto:sales@silganequipment.com)

[WWW.SILGANEQUIPMENT.COM](http://WWW.SILGANEQUIPMENT.COM) | 847.336.0552 | 1301 W. DUGDALE RD, WAUKEGAN, IL 60085

# WC500 CAPPER TECHNICAL SPECIFICATIONS



Model	WC500
Closure Size	Ø27mm Through Ø110mm
Closure Types	RTO, RTS, RTB, RSB, RFO, FAB, FAS, MTO, DTO, DWO, DWB, PT
Jar Height	1.25" Through 11.75"
Jar Diameter	1.5" Through 6.25"
Steam Requirements	60 psi Minimum at 200-400 lbs/hr
Machine Weight	2,200 lbs. Approximation
Water Requirements	1/4" Pipe at 8.8 cu ft/hr
Electrical Requirements	480VAC, 60 Hz., 3 Phase
Environment Temp.	50° ~ 100°F
Space Required	Height : 97 Inches Width : 153 Inches Depth : 43 Inches

**Choose From These Great Options:**

<b>Bubble Buster</b>	<b>Hopper</b>
<b>Extended Input and Exit Conveyors</b>	<b>Risers for line Height</b>
<b>Culinary Steam System</b>	<b>Jam Sensors</b>
<b>"No Cap" Detector</b>	<b>Low Cap Supply Sensing</b>

## Why Choose Silgan Equipment?

- Silgan's expertise and leadership has served our customers for over 80 years with closure and equipment solutions.
- Today, Silgan Equipment business partners exceed their standards for quality and support world-wide. Many of the top food and beverage processors rely on us for their equipment needs.
- With our 24/7 support line and full-service technicians located throughout the continental US, we stand by our products and help you get the best out of your operation.
- Silgan Equipment is a proud member of the Silgan family of companies. We deliver the best-in-class service you deserve. We know your packaging and can help you grow.

*LET US HELP TAKE YOUR BUSINESS TO THE NEXT LEVEL!*

## ★ Capping

**Material Handling**

**Quality Inspection**

**Rebuild & Engineering Services**



**Take Advantage of Silgan's Large U.S. Service Network**

**To start improving your productivity, call: 847.336.0552**